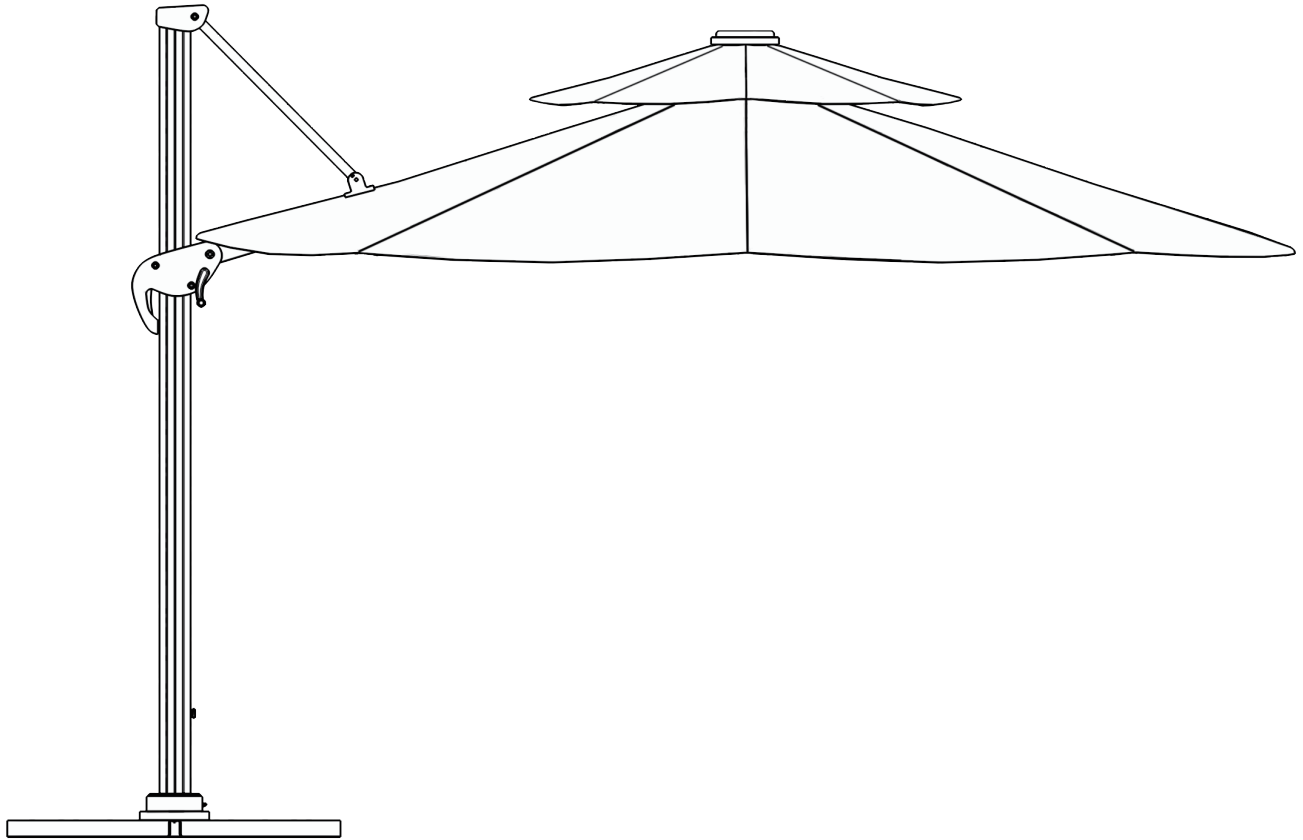


Cantilever Parasols

Assembly Instructions



KINDLY NOTICE - Please read these instructions carefully before starting assembly

HASSEL-FREE WARRANTY

We proudly provide 1-YEAR warranty, if there is any questions with the products, please feel free to contact with us.

✉ Email: support@patio-outdoor.com



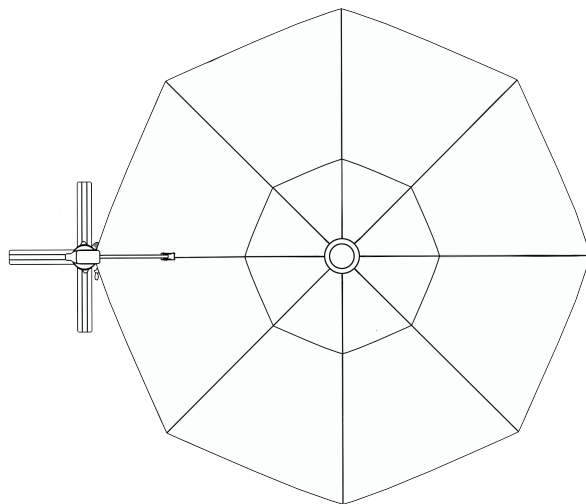
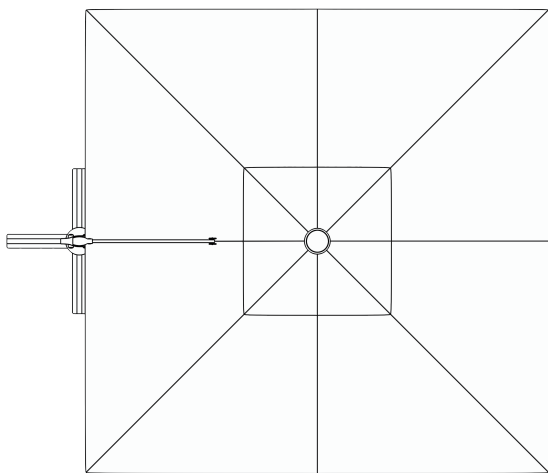
The assembly will be easier with 2 people while 1 person could also do the job.



Around 5 MIN ASSEMBLY

Cantilever Parasols

If you have any issue with our products, such as missing parts, please email: support@patio-outdoor.com



SPU: A014-003-013



Scan the QR code for assembly videos

Contents

Safety Instructions	4
Care & Maintenance	4
Parts List	5
Assembly	6
After sale	10

Safety Instructions

If you have any issue with our products, such as missing parts, please email: support@patio-outdoor.com

Usage Tips

Note Please retain these instructions for future reference

Please check all screws and knobs before use, Please read and understand this entire manual before attempting to assemble or install the product.

Recommended two people work together to install this product, children should not engage in the operation.

Every 3 months, check all screws and knobs make sure they are tightened

During the initial assembly, do not tighten all the screws until fully assembled

Please place the umbrella on a even and horizontal ground.

Note that some parts are heavy and have sharp edges, so you should pay attention to your hands being scratched when you take them

If any parts are broken, damaged, or missing, please do not attempt to assemble this product, please contact our customer service online

Umbrella base weights are not included. Do not use this umbrella without umbrella base weights.

Do not use umbrella in inclement weather, such as snow, heavy rain, thunderstorms, or strong wind.

Close the canopy when umbrella is not in use.

To further protect the umbrella, please use umbrella cover after close it.

Care & Maintain

If the umbrella encounters a humid environment, it needs to be dried in a sunny or naturally ventilated environment

Store in a dry place during the off season.

Keep the umbrella away from fire or heat sources.

Our umbrellas are suitable for home and leisure places such as courtyards, gardens, swimming pools, etc.

Fabric Care

To spot clean, use mild soap with lukewarm water, rinse, and air dry.

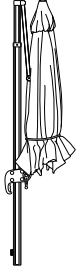
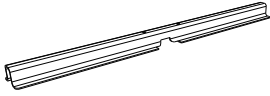
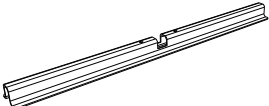
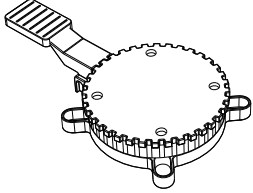


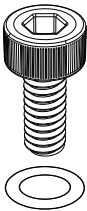
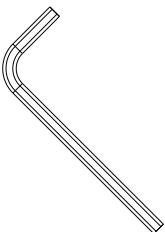
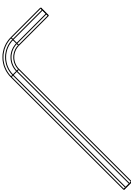
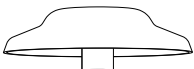
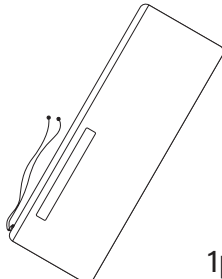
Do not clean with bleach or solvents.

In order to extend service life of your new patio umbrella, we customized the patio umbrella cover for each outdoor umbrella, we recommend you to cover and store the umbrella at night or during extreme weather conditions.

Parts List

If you have any issue with our products, such as missing parts, please email: support@patio-outdoor.com

Parts required

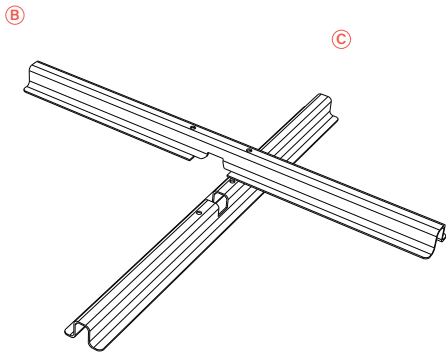
 <p>1pc</p>	 <p>1pc</p>	 <p>1pc</p>	 <p>1pc</p>
<p>A-umbrella</p>	<p>B-Upper crossbar</p>	<p>C-Lower crossbar</p>	<p>D-FOOT PEDAL/ ROTATING BASE</p>
 <p>1pc</p>	 <p>1pc</p>	 <p>1pc</p>	 <p>8pc</p>
<p>E-SUPPORT SHAFT</p>	<p>F-GEAR COVER</p>	<p>G-Crank</p>	<p>H-M8x20</p>
 <p>1pc</p>	 <p>1pc</p>	 <p>1pc</p>	 <p>2pc</p>
<p>J-M6x50</p>	<p>K-KNOB</p>	<p>L-M8</p>	<p>M-M6</p>
 <p>1pc</p>	 <p>1pc</p>		
<p>N-umbrella cap</p>	<p>O-umbrella cover</p>		

Assembly

If you have any issue with our products, such as missing parts, please email: support@patio-outdoor.com

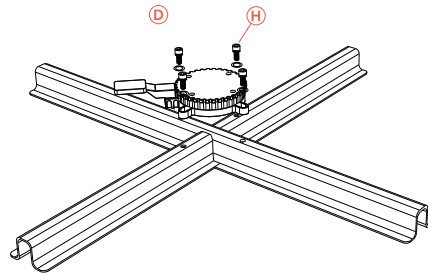
Step1

Place the upper crossbar B on the lower crossbar C



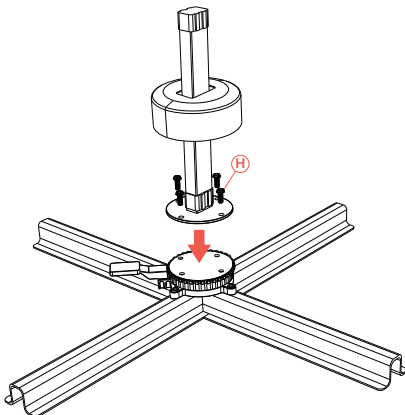
Step2

Foot pedal/rotating base part D is placed on top of part C and part B, Secure with part H screws



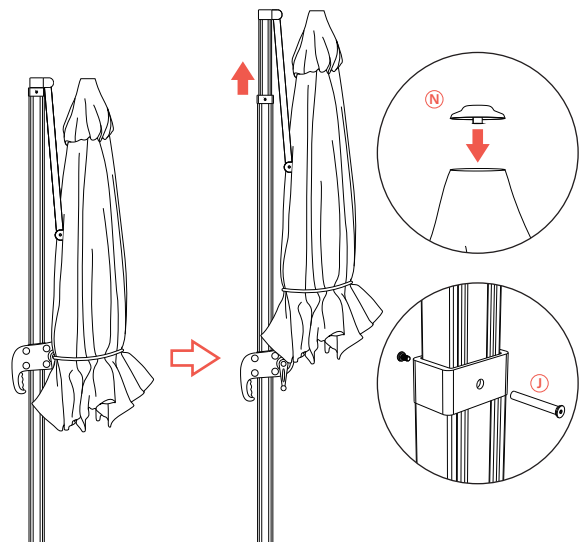
Step3

Put the support shaft part E on the Foot pedal part D, Secure with part I screws, Finally put part F in



Step4

Fix the umbrella pole with par J
Then install the umbrella cap

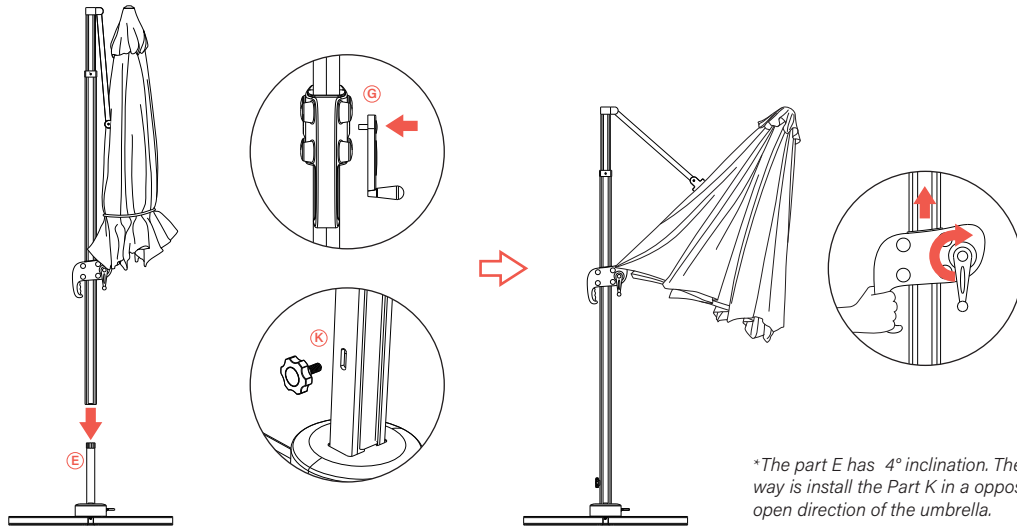


Assembly

If you have any issue with our products, such as missing parts, please email: support@patio-outdoor.com

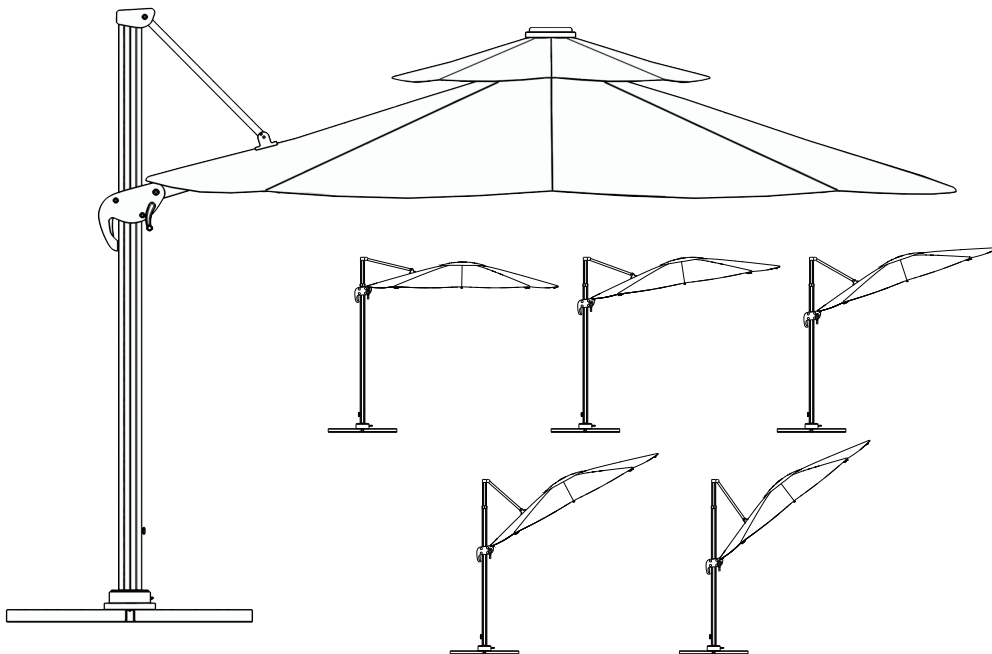
Step5

Insert the umbrella of part A into the leg of Part E, Fix the plum knob of Part K, Fix the crank of part G, Grab the wrench and press inside, Push up until the umbrella is half open



Step6 -Opening and Closing

Umbrella has 5 adjustable positions. Turn the handle clockwise until the umbrella is fully extended

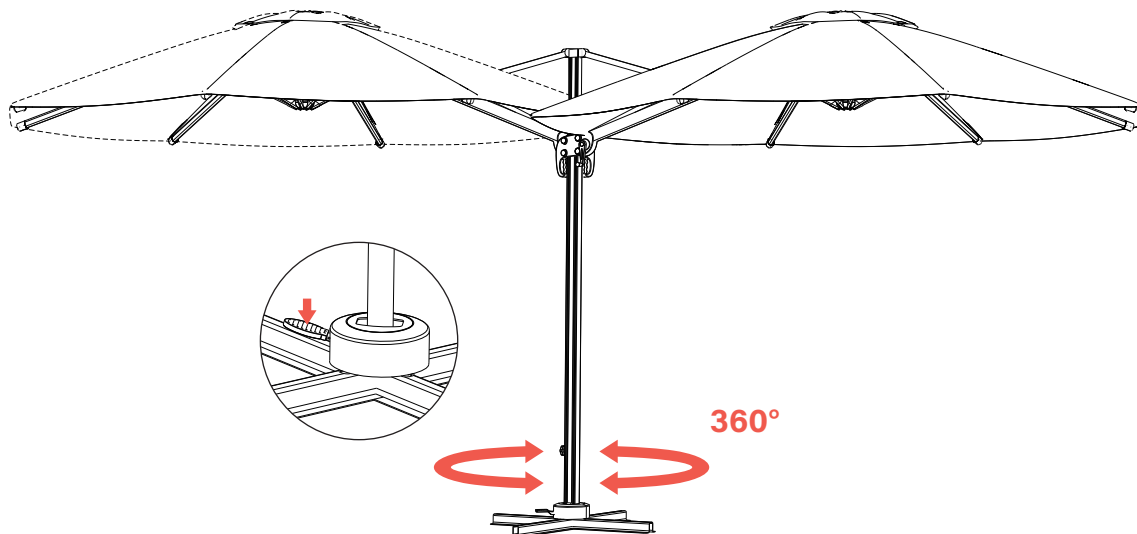


Assembly

If you have any issue with our products, such as missing parts, please email: support@patio-outdoor.com

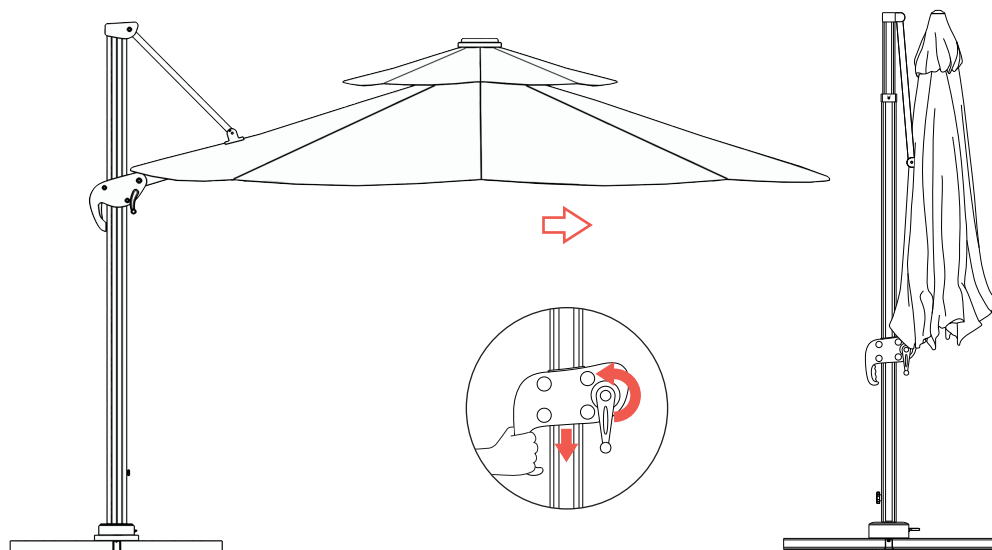
Step7

Umbrella can be rotated 360°, just step on the pedal and grab the wrench to rotate



Step8

When umbrella out of use, turn counterclockwise and shake the handle, retract the umbrella, Grab the wrench and press inside, Pull down the wrench simultaneously

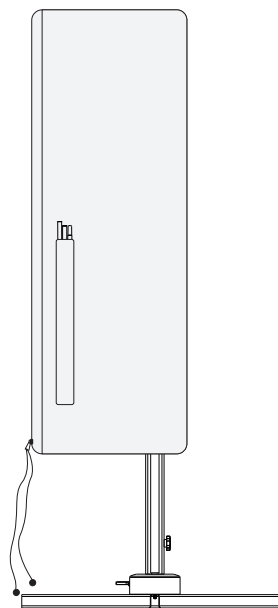
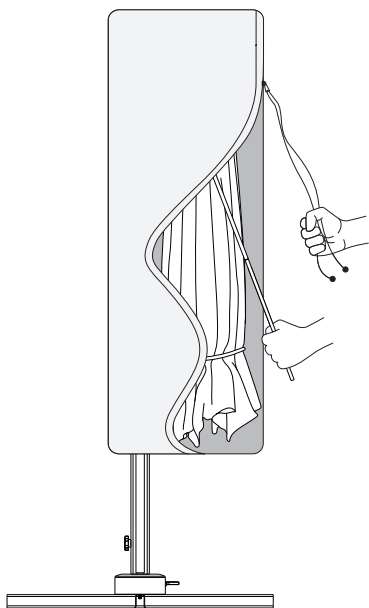
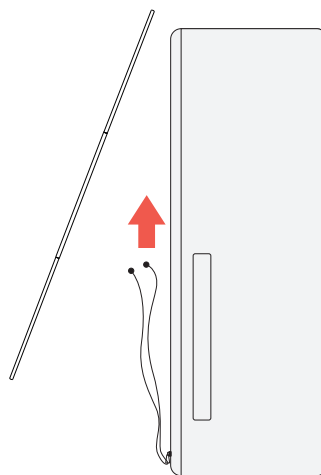
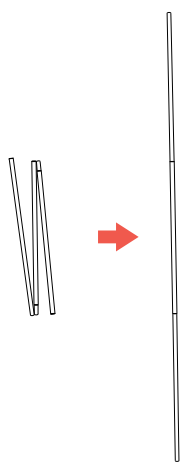


Assembly

If you have any issue with our products, such as missing parts, please email: support@patio-outdoor.com

Step9: STORAGE

- 1:** Connect Support rod
- 2:** Open the zipper, Use struts to prop up the umbrella cover to the top of the umbrella
- 3:** Brace the support rod with one hand, Grab the rope with the other hand and pull it down, Close the zipper
- 4:** Put the Support rod in the pocket of the umbrella cover





WARRANTY

Outdoor umbrella
1-year Warranty Program

For a period of one (1) years after date of purchase, the Manufacturer will either repair or replace defective components in accordance with this Limited Warranty. This warranty is between the Manufacturer and the original purchaser and is valid only when accompanied by the original purchaser's sales receipt showing original date of purchase

The manufacturer or its authorized dealer can accept or reject warranty claims based on its findings. This warranty applies in normal residential use only and is not intended for commercial use. The Manufacturer can make substitutions as required of materials, components, and sub-components of comparable value and utility. This warranty is limited to product repair or replacement (to be determined solely by the Manufacturer). Warranty return is limited to only the single affected component.

This limited warranty covers only manufacturing defects and does not cover normal wear and tear, damage due to acts of nature (such as, but not limited to freezing or high winds), abuse or misuse, including chemical damage from suntan oil or other chemicals, exposure to extreme heat or cold, abrasion or excessive weight. This product is intended to be used in standard installations only. This warranty is void if the product is not used for its intended purpose. The Manufacturer disclaims liability for any aspect of installation and any inconvenience caused by a defective part of a component

Certain items are not covered by this warranty. These include, but are not limited to the following:

1. Components subjected to abuse, including abuse intended to simulate failure
2. Damages caused by retailer, shipper or installation error (such as scratches, dents, tears, chips, etc.)
3. Any part that only shows normal wear and tear on the surface, including debris, scratches, or material stretching and stitching.
4. Tears, punctures, scratches or any damage caused by improper installation or use.
5. Damage to frames/welds resulting from improper assembly or exposure to water and/or sub-freezing temperatures is not covered.
6. The fading caused by other external forces on the umbrella cloth surface is not included.

**** If you need after-sales service, please provide the original purchase record and a brief description of the problem. Please also provide your email address or mobile number***