



INSTRUCTION MANUAL

EMAIL | support@patio-outdoor.com



10FT Cantilever Parasols

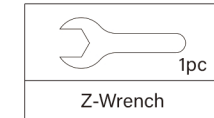
8*8FT Cantilever Parasols

**If you have any issue with our products, such as missing parts, please email: support@patio-outdoor.com*

PARTS

Estimated assembly time **5-8 minutes**





Tools required



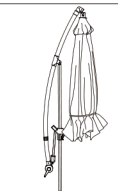
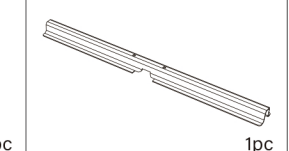
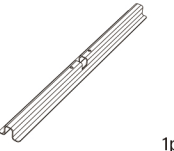


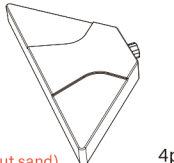
1pc

Z-Wrench

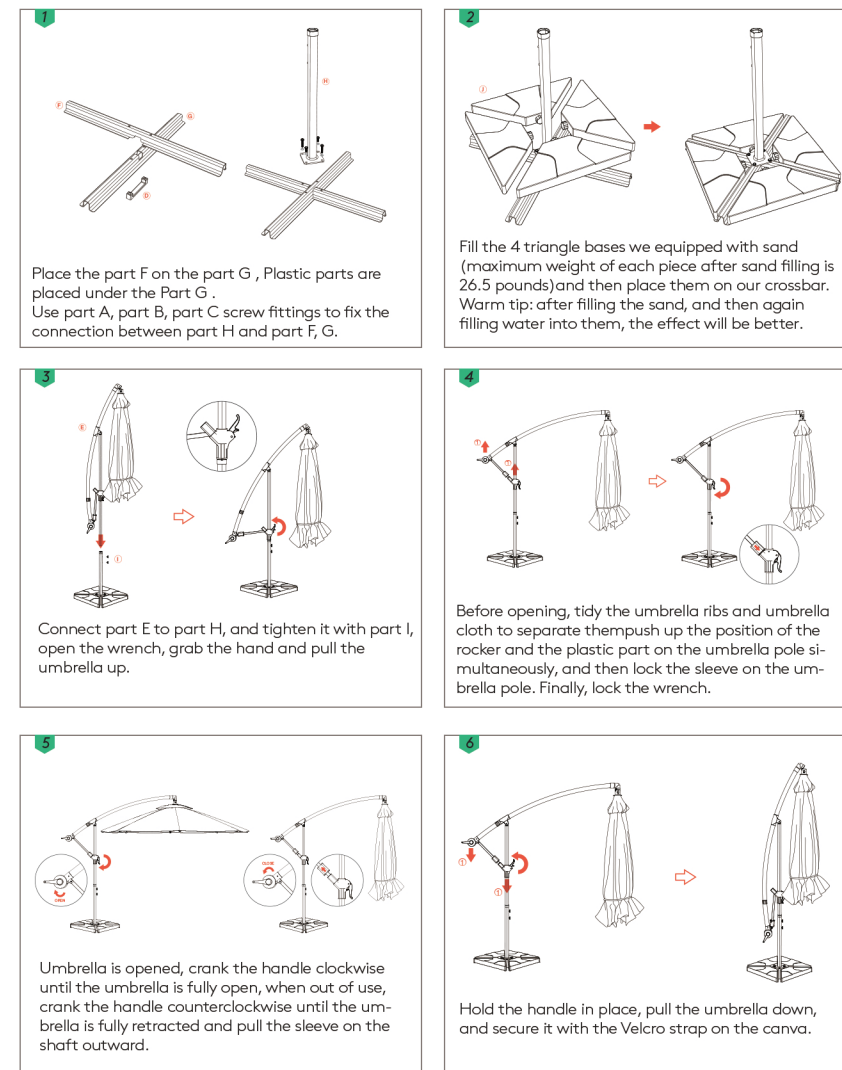
Accessories required

			
4pc	2pc	2pc	1pc
A-Washer	B-M8X16MM	C-M8X40MM	D-Plastic parts

Parts required

		
1pc	1pc	1pc
E-umbrella	F-Upper crossbar	G-Lower crossbar
		
1pc	2pc	4pc
H-Foot tube	I-plum blossom knob	J-Triangle base

PRODUCT ASSEMBLY



Place the part F on the part G, Plastic parts are placed under the Part G. Use part A, part B, part C screw fittings to fix the connection between part H and part F, G.

Fill the 4 triangle bases we equipped with sand (maximum weight of each piece after sand filling is 26.5 pounds) and then place them on our crossbar. Warm tip: after filling the sand, and then again filling water into them, the effect will be better.

Connect part E to part H, and tighten it with part I, open the wrench, grab the hand and pull the umbrella up.

Before opening, tidy the umbrella ribs and umbrella cloth to separate them push up the position of the rocker and the plastic part on the umbrella pole simultaneously, and then lock the sleeve on the umbrella pole. Finally, lock the wrench.

Umbrella is opened, crank the handle clockwise until the umbrella is fully open, when out of use, crank the handle counterclockwise until the umbrella is fully retracted and pull the sleeve on the shaft outward.

Hold the handle in place, pull the umbrella down, and secure it with the Velcro strap on the canva.

WARRANTY



1-YEAR Warranty Program

1 For a period of one (1) years after date of purchase, the Manufacturer will either repair or replace defective components in accordance with this Limited Warranty. This warranty is between the Manufacturer and the original purchaser and is valid only when accompanied by the original purchaser's sales receipt showing original date of purchase and location of purchase. Replacements under this warranty revert back to the date of original purchase for future warranty.

2 The manufacturer or its authorized dealer can accept or reject warranty claims based on its findings. This warranty applies in normal residential use only and is not intended for commercial use. The Manufacturer can make substitutions as required of materials, components, and sub-components of comparable value and utility. This warranty is limited to product repair or replacement (to be determined solely by the Manufacturer). Warranty return is limited to only the single affected component.

3 This limited warranty covers only manufacturing defects and does not cover normal wear and tear, damage due to acts of nature (such as, but not limited to freezing or high winds), abuse or misuse, including chemical damage from suntan oil or other chemicals, exposure to extreme heat or cold, abrasion or excessive weight. This product is intended to be used in standard installations only. This warranty is void if the product is not used for its intended purpose. The Manufacturer disclaims liability for any aspect of installation and any inconvenience caused by a defective part of a component.

HELP CENTER

Question about your product?
We are here to help, contact us by

support@patio-outdoor.com

