

Assembly Instructions

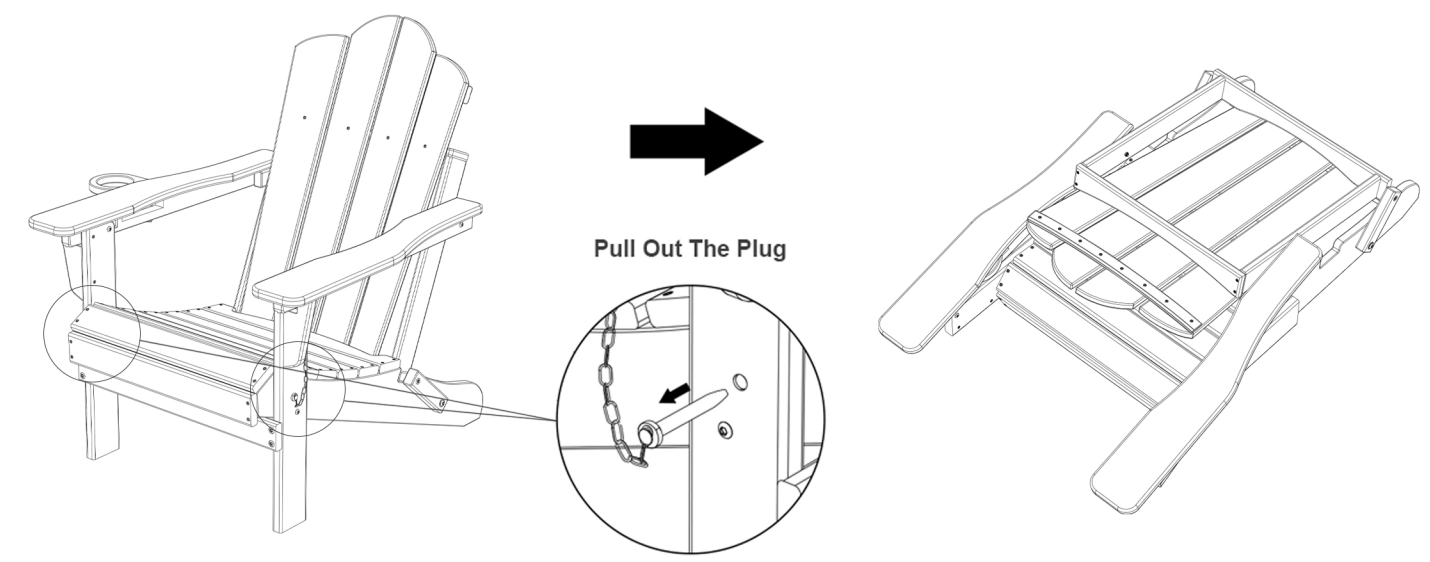
If you need help or have damaged or missing parts, please email: info@kingyesoutdoor.com

⚠ Caution: Please do not over-tighten bolts and screws during assembly.

Folding Chair

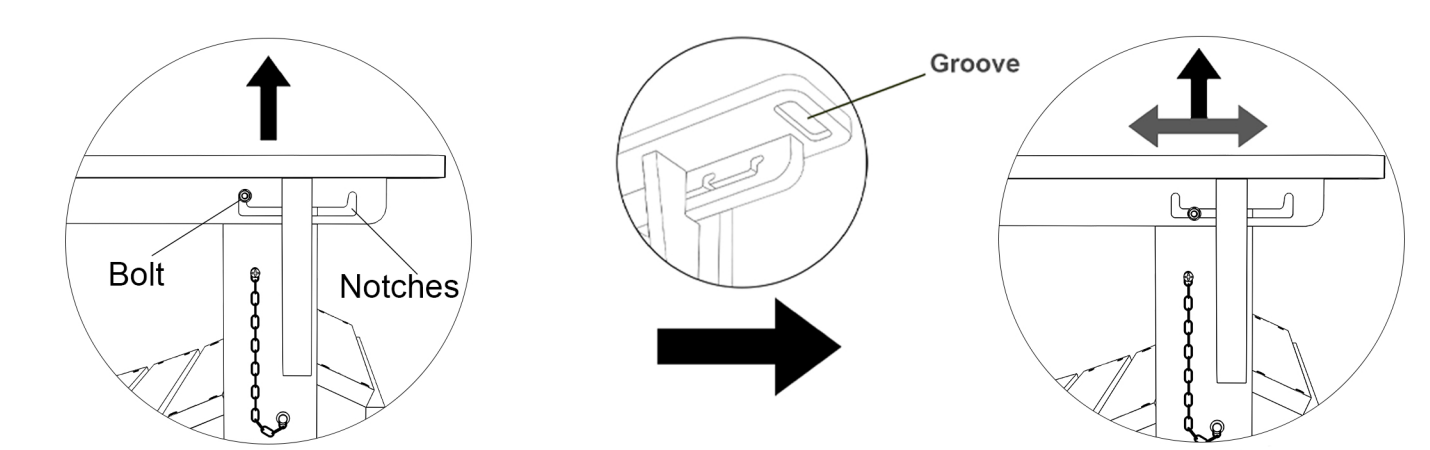
This Adirondack chair can be easily folded flat by pulling out the "Plugs" inserted in the chair legs.

Warning: To avoid damage, please keep the plugs inserted when the chair is in use. Pull out the plugs when you need to fold the chair.



Reclining Chair

This Adirondack chair's backrest have 3 different reclining angles.



You must lift the armrests and pull them backward or forward to adjust the backrest angle. There is a small groove at the bottom of the armrest where your fingers should go when you lift the armrests.

1. Lift both the armrests;
2. Pull forward or backward to adjust the backrest to a particular position;
3. Then put the armrests down to let bolts rest on the notches simultaneously. (Please do not lay on the backrest when you are adjusting)

Assembly Instructions



Vintage Reclining Folding Chair A041-028-001



Important - Please read these instructions fully before starting assembly

HASSLE-FREE WARRANTY
Kingyes stand behind the quality of our products.
For full warranty policy, email: info@kingyesoutdoor.com

Safety & Care Advice

If you need help or have damaged or missing parts, please email: info@kingyesoutdoor.com

Important - Please read these instructions fully before starting assembly

Check you have all the components and tools listed on the pages 3. Do not stand or put weight on the product, this could cause damage.

Remove all fittings from the plastic bags and separate them into their groups. Assemble the item as close to its final position (in the same area) as possible.

Keep children and animals away from the work area, small parts may cause choking if swallowed. Do not place furniture directly in front of radiators, fires or any other source of heat.

Make sure you have enough space to layout the parts before starting. Do not place furniture directly in front of radiators, fires or any other source of heat.

Assemble on a soft level surface to avoid damaging the unit or your floor.

350 LBS CAPACITY

1 PERSON ASSEMBLY

AROUND 20 MIN. ASSEMBLY

The assembly will be easier with two people while one person could also do the job.

General care & maintenance

Using damp cloth and mild detergent for routine maintenance, do not use bleach or abrasive cleaners. From time to time check that there are no loose screws on this unit.

Clean & Sanitize Tips

Use this method for a quick clean-up here and there throughout the season — adding in the bleach solution to easily sanitize and eliminate any stubborn stains or dirt build-up from the winter months.

- Mix mild dish soap and warm water in a bucket.
- Use a clean cloth to wipe the soapy mixture onto the surfaces of your furniture, cleaning off any dirt.
- For extra cleaning power or to sanitize, mix 1/3 bleach and 2/3 water.
- Apply bleach mixture to furniture with a clean cloth and allow it to sit on the lumber for a few minutes (this will not affect the color).
- Loosen any dirt and debris that may catch in the surface grooves of the lumber by scrubbing the bleach mixture with a soft-bristle brush.
- Rinse thoroughly using a garden hose with a spray nozzle.

Components

If you need help or have damaged or missing parts, please email: info@kingyesoutdoor.com

Please check you have all the components listed below.

Note: The illustration of the chair shows the exact position of each part. Check when assembling.

#	Description	Qty.
A	Seat Frame	1
B	Right Leg	1
C	Left Leg	1
D	Right Arm	1
E	Left Arm	1
F	Backrest	1
G	Back Stretcher	1
H	Front Stretcher	1
I	Braces	2
J	Cup Holder	1

Hardware & Tools

Note: The quantities below are the correct amount to complete the assembly. In some cases more fittings may be supplied than required.

① x 2
M6 x 80MM Bolts & Washer & Nut

② x 2
M6 x 60MM Bolts & Washer & Nut

③ x 2
M6 x 50MM Bolts & Washer & Nut

④ x 1
M6 x 30MM Bolt

⑤ x 2
M6 x 60MM Screw

⑥ x 6
M6 x 40MM Screw

⑦ x 2
M6 x 60MM Bolts & Washer & Nut

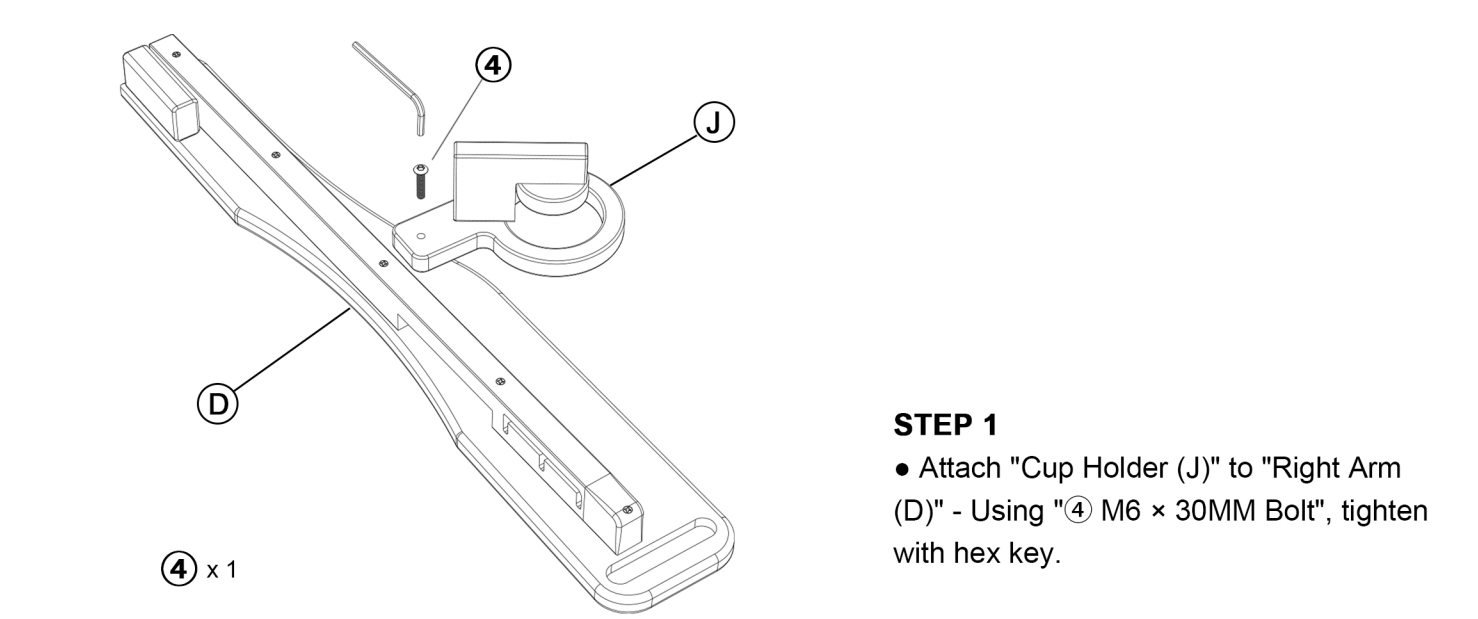
1pc
Hex Key (Included)

1pc
Wrench (Included)

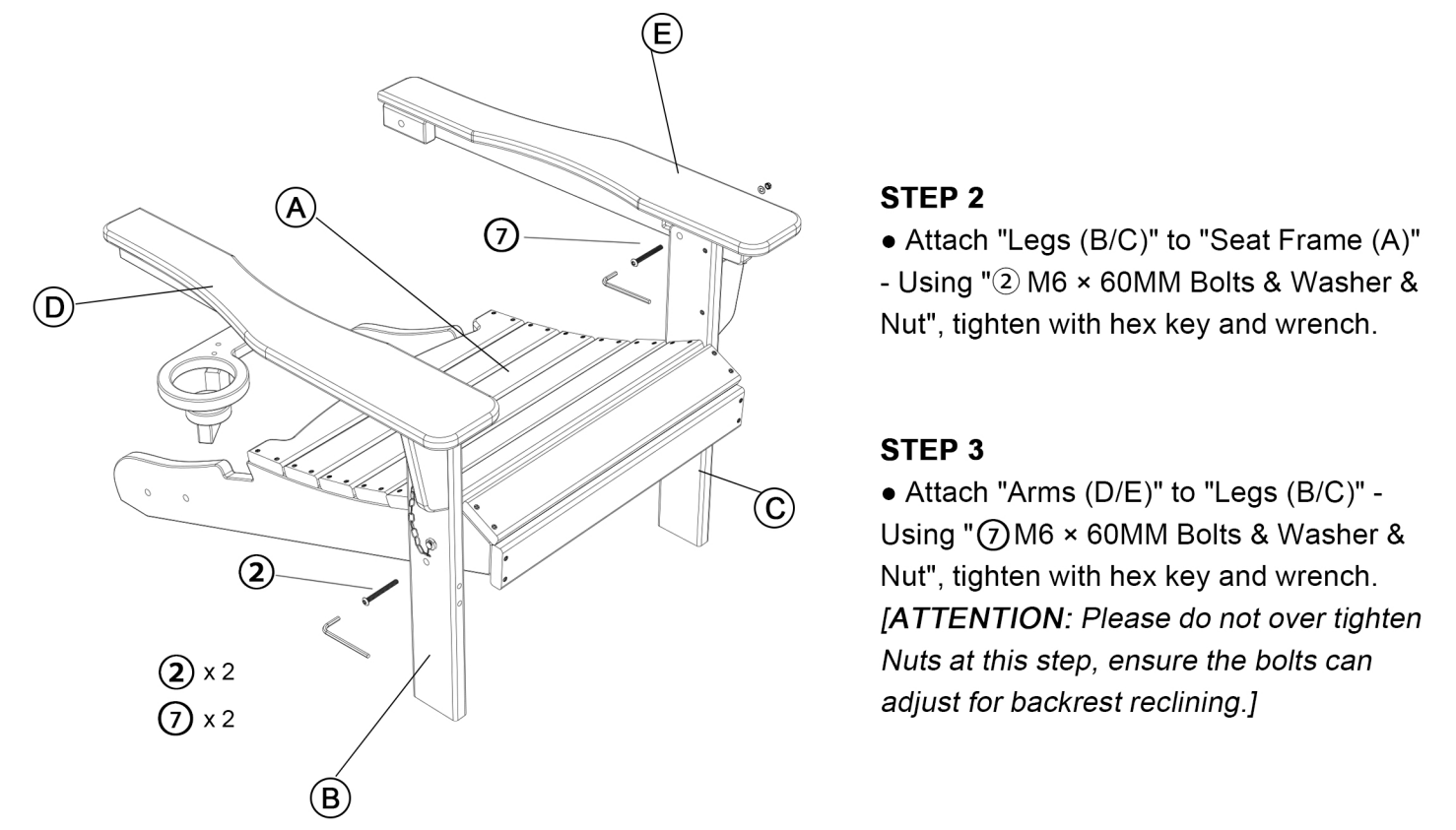
Assembly Instructions

If you need help or have damaged or missing parts, please email: info@kingyesoutdoor.com

⚠ Caution: Please do not over-tighten bolts and screws during assembly.



STEP 1
• Attach "Cup Holder (J)" to "Right Arm (D)" - Using "④ M6 x 30MM Bolt", tighten with hex key.



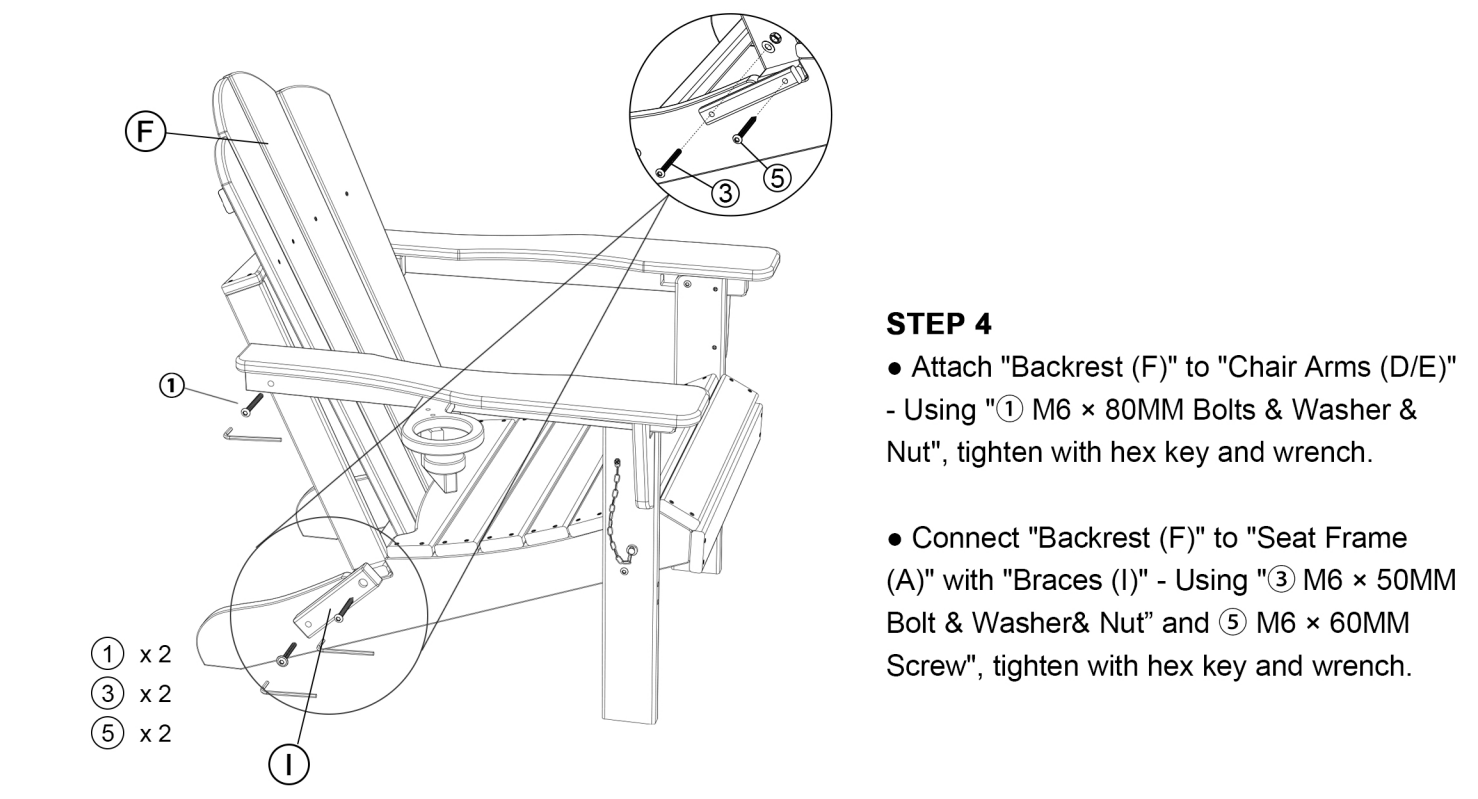
STEP 2
• Attach "Legs (B/C)" to "Seat Frame (A)" - Using "② M6 x 60MM Bolts & Washer & Nut", tighten with hex key and wrench.

STEP 3
• Attach "Arms (D/E)" to "Legs (B/C)" - Using "⑦ M6 x 60MM Bolts & Washer & Nut", tighten with hex key and wrench. [ATTENTION: Please do not over tighten Nuts at this step, ensure the bolts can adjust for backrest reclining.]

Assembly Instructions

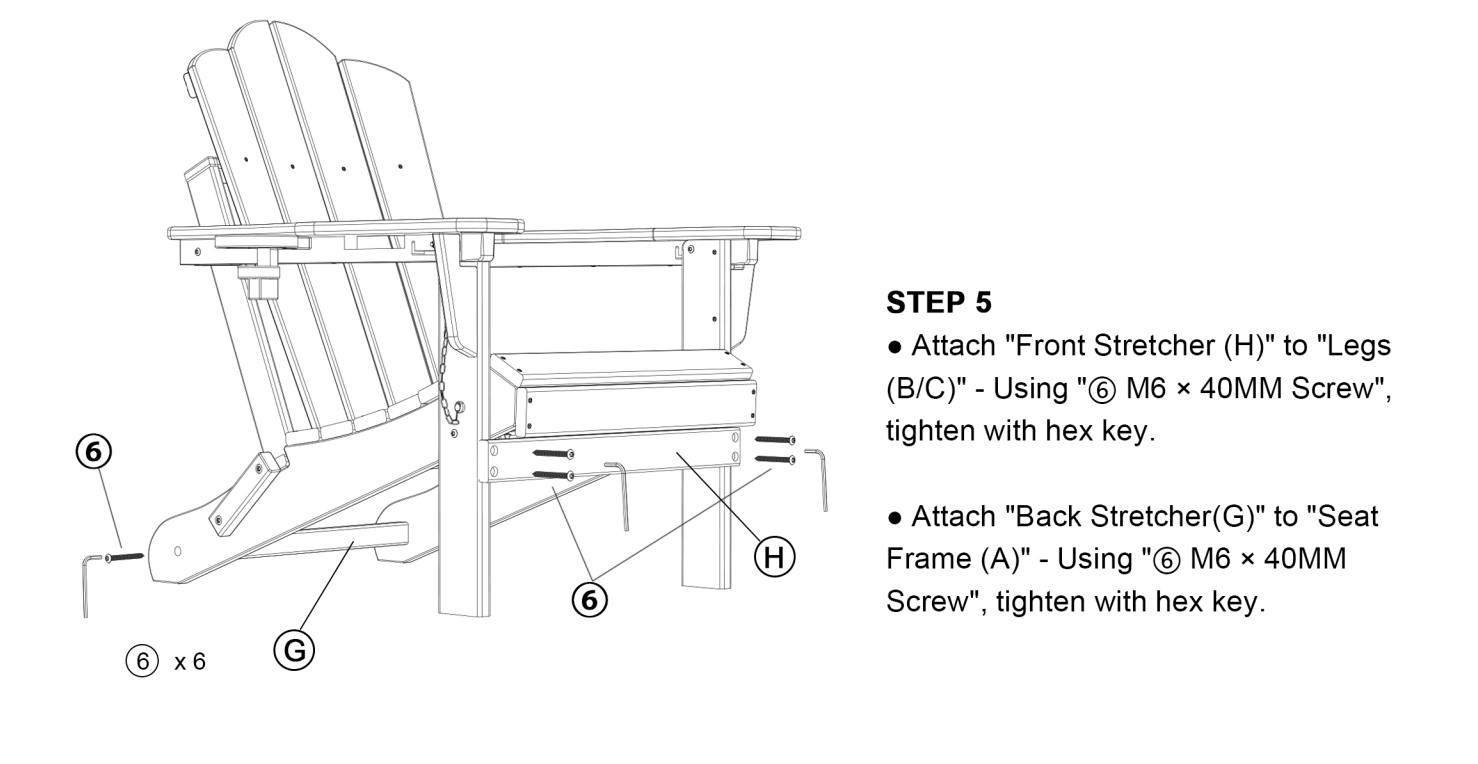
If you need help or have damaged or missing parts, please email: info@kingyesoutdoor.com

⚠ Caution: Please do not over-tighten bolts and screws during assembly.



STEP 4
• Attach "Backrest (F)" to "Chair Arms (D/E)" - Using "① M6 x 80MM Bolts & Washer & Nut", tighten with hex key and wrench.

• Connect "Backrest (F)" to "Seat Frame (A)" with "Braces (I)" - Using "③ M6 x 50MM Bolt & Washer & Nut" and "⑤ M6 x 60MM Screw", tighten with hex key and wrench.



STEP 5
• Attach "Front Stretcher (H)" to "Legs (B/C)" - Using "⑥ M6 x 40MM Screw", tighten with hex key.

• Attach "Back Stretcher (G)" to "Seat Frame (A)" - Using "⑥ M6 x 40MM Screw", tighten with hex key.